

Ives Continuous Hinges



Ives Continuous Hinges are designed to last the life of the building. The unique design distributes the weight of the door along the entire length of the frame, reducing the high amount of stress placed upon the top traditional butt hinge. Not only does this prevent hinge failure, it also keeps your door in constant alignment, eliminating the chance of door sag. These characteristics make continuous hinges suitable for high use/high traffic doors.

The design of a continuous hinge eliminates the gap between the door and the frame. The absence of gap also prevents fingers from being pinched, making it a safer device than traditional hinges. These these benefits result in higher efficiency and less maintenance, maximizing the value of your opening investment.

Robert
Brooke &
Associates
1-800-642-2403

Ives Continuous Hinges



Two styles - One function

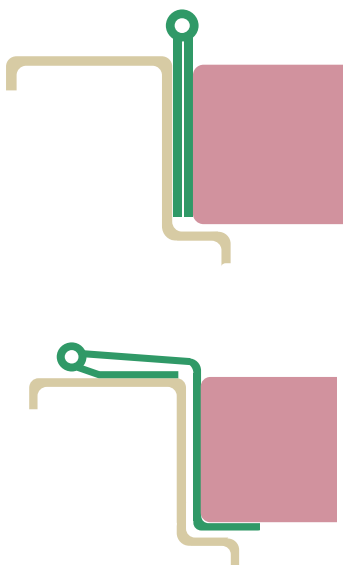
Aluminum Geared

Geared continuous hinges utilize a single gear section for the leaf and a separate gear section for the frame side of the door. The two are held in place together by a full length cover channel and rotate on a series of bearings.



Pin and Barrel

Pin and Barrel hinges share many of the same characteristics of a traditional hinge. Both have a center pin and rolled knuckles. However, a continuous Pin and Barrel hinge stretches along the entire length of the frame. Ives offers both stainless steel and primed steel to best match your specific application.



Lifetime Warranty

Ives continuous hinges carry a limited lifetime warranty, ensuring your opening will function to your satisfaction every time.

IVES Continuous Hinge Cross Reference Guide

Geared

Ives	Select	Pemko	Hager	McKinney	Stanley
112HD	SL11HD	FMSLFHD	780-112HD	MCK-12HD	661HD
210HD	SL21HD	FSHD	780-210HD	MCK-22HD	665HD
224HD	SL24HD	FMHD	780-224HD	MCK-25HD	662HD
157HD	SL57HD	FSCPHD	780-157HD	MCK-58HD	664HD

Pin and Barrel

Ives	Markar	Select	Hager	Stanley
600	FM200	SL200	N/A	N/A
602	FS202	N/A	N/A	N/A
611	N/A	N/A	N/A	N/A
700	FM300	SL300	790-900	651
702	FS302	SL302	N/A	N/A
705	HG305	SL305	790-905	652
711	HG311	SL311	790-911	656
715	HG315	N/A	790-915	653



Aluminum Geared Continuous Hinges

General Information

Material

6063-T6 Aluminum

Lengths

83", 85", 95", 120"

Custom Lengths are available, consult factory.

Finishes

Clear (CL), Dark Bronze (DB)

Custom Anodizing and Painting are available, consult factory.

Hinge Duty

All Ives Aluminum Geared Hinges are Heavy Duty (HD).

Amount of bearings varies by size:

83", 85" – 32 Bearings

95" – 36 Bearings

120" – 47 Bearings

Door Weight

Each hinge can hold a door up to 450 lbs (Rivet nuts recommended) and a max door width of 4'0".

ANSI Certified

All Ives Aluminum Geared Hinges are certified to ANSI 156.25, Grade 2

UL Listed

All Ives Aluminum Geared Hinges are tested and approved UL 10C (90 minutes).

Field Modifications:

All Ives Aluminum Geared Continuous Hinges can be cut to length during installation. The unique mounting pattern allows to cut up to 6" from bottom while still having double row fasteners. If cut more than 13.5", other modifications may be necessary (see instructions for further information).

Electrification Options

Only available for the full mortise hinges

Electric Power Transfer (EPT)

Electric power transfer provides a means of transferring power from the door frame to the edge of a swinging door. Ives Continuous Hinges provide cut outs to fit Von Duprin EPT-2, EPT-10 and PNT-1 devices.

Electrical Through-Wire (TW)

Provides electric power transfer from the frame to the door in order to supply power to an electrified mortise or cylindrical locks, exit devices with electric latch retraction, and/or electric strikes (pairs of doors). Through-wire is rated for 3.5 amp continuous and 16 amp pulse. Offers 4 wire (TW4) or 8 wire (TW8).

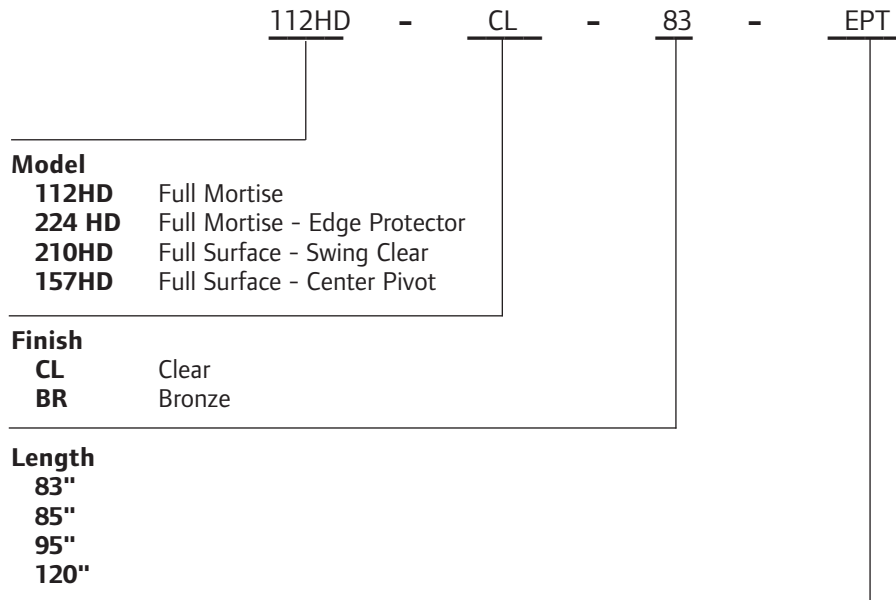
Electrical Through-Wire + Monitoring (TWM)

Combines electric through-wire with monitoring the status of the door showing open or closed; offers 4 wire (TW4M) or 8 wire (TW8M).

Exposed Electric Contacts (EC)

Provides electric power from the building to the door when in closed position. Rated for 50V AC/DC at 1 amp. Comes with 2 (EC2) or 4 (EC4) contacts.

How to Order:



Options

- * **EPT** Electric Power Transfer Prep
- * **TW4, TW8** Electric Through Wire
- * **EC2, EC4** Exposed Electric Contacts
- * **TW4M, TW8M** Electric Through Wire + Monitoring
- SF** Security Fasteners

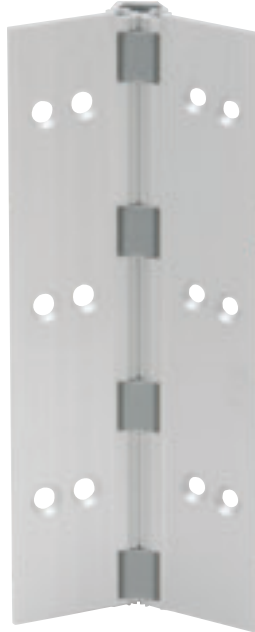
* Full Mortise Models Only



Aluminum Geared Continuous Hinges

Ives 112HD

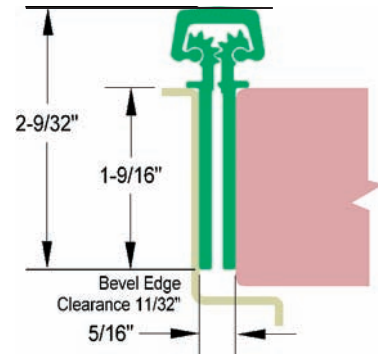
Full Mortise



Concealed Hinge
Flush Mounted, No Inset
Non Handed

Standard Mounting Hardware

12-24 X 1/2" Steel Self Tapping Screws
#12 x 1-1/2" Flathead Wood Screws
Optional Security Fasteners Available



Ives 224HD

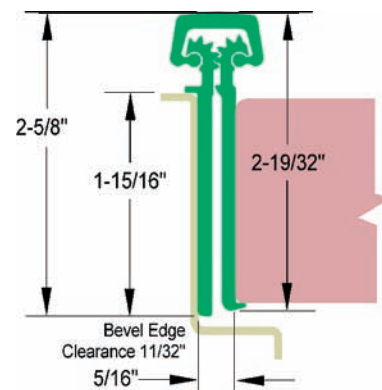
Full Mortise



Concealed Hinge
Door Edge Protector
1/16" Door Inset
Non Handed

Standard Mounting Hardware

12-24 X 1/2" Steel Self Tapping Screws
#12 x 1-1/2" Flathead Wood Screws
Optional Security Fasteners Available



Ives 210HD

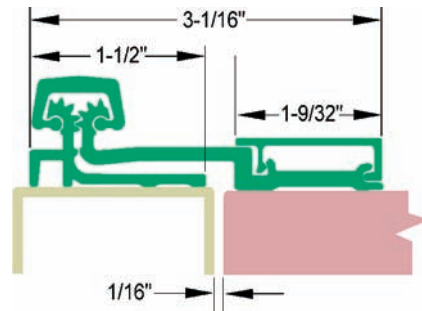
Full Surface
Swing Clear



Surface Hinge
1/32" Door Inset
Non Handed

Standard Mounting Hardware

12-24 X 1/2" Steel Self Tapping Screws,
1/4-20 X 1.5" AL Sex Bolt, 1/4-20 X 1" Steel
Shoulder Bolt, 12-24 X 3/4" Steel Self
Drilling, #12 x 1-1/2" Flathead Wood Screws
Optional Security Fasteners Available



Ives 157HD

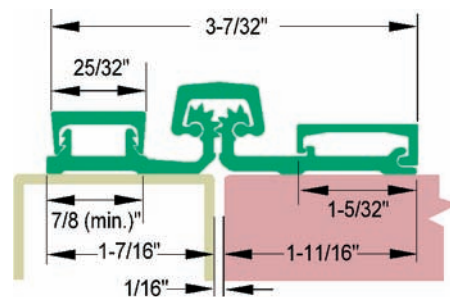
Full Surface
Center Pivot



Narrow Frame
1/16" Door Inset
Non Handed

Standard Mounting Hardware

12-24 X 1/2" Steel Self Tapping Screws,
1/4-20 X 1.5" AL Sex Bolt, 1/4-20 X 1" Steel
Shoulder Bolt, 12-24 X 3/4" Steel Self
Drilling, #12 x 1-1/2" flathead wood screws
Optional Security Fasteners Available



Pin and Barrel Continuous Hinges

General Information

Lengths

83", 85", 95", 120"

Custom Lengths are available, consult factory

Barrel Type

Twin Self Lubricated Nylon Bearings with Stainless Steel Pin.

Door Weight

Each hinge can hold a door up to 600 lbs (Rivet nuts recommended) and a max door width of 4'0".

ANSI Certified

All Ives Pin and Barrel Hinges certified to ANSI 156.26, Grade 2.

UL Listed

All Ives Steel and Stainless Steel Pin and Barrel Hinges are tested and approved UL 10C (3 hr).

Field Modifications

All Ives Pin and Barrel Continuous Hinges can be cut to length during installation. If more than 6" from bottom of hinge, additional modifications may be necessary (see instructions for further information).

Electrification Options

Only available for the Full Mortise Hinges

Electric Power Transfer (EPT)

Electric power transfer provides a means of transferring power from the door frame to the edge of a swinging door. Ives Continuous Hinges provide cut outs to fit Von Duprin EPT-2, EPT-10 and PNT-1 devices.

Electrical Through-Wire (TW)

Provides electric power transfer from the frame to the door in order to supply power to an electrified mortise or cylindrical locks, exit devices with electric latch retraction, and/or electric strikes (pairs of doors). Through-wire is rated for 3.5 amp continuous and 16 amp pulse. Offers 4 wire (TW4) or 8 wire (TW8).

Electrical Through-Wire + Monitoring (TWM)

Combines electric through-wire with monitoring the status of the door showing open or closed; offers 4 wire (TW4M) or 8 wire (TW8M).

Exposed Electric Contacts (EC)

Provides electric power from the building to the door when in closed position. Rated for 50V AC/DC at 1 amp. Comes with 2 (EC2) or 4 (EC4) contacts.

Pin and Barrel Continuous Hinges - Stainless Steel

How to Order:

700 - US32D - 83 - EPT

Model

Stainless Steel

- 700** Full Mortise
- 702** Full Surface - Center Pivot
- 705** Full Mortise - Full Wrap
- 711** Full Surface - Swing Clear
- 715** Full Mortise - Half Wrap

Steel

- 600** Full Mortise
- 602** Full Surface - Center Pivot
- 611** Full Surface - Swing Clear

Finish

Stainless Steel

- US32D** Stainless (630)

Steel

- USP** Primed (600)

Length

- 83"**
- 85"**
- 95"**
- 120"**

Options

- * **EPT** Electric Power Transfer Prep
- * **TW4, TW8** Electric Through Wire
- * **EC2, EC4** Exposed Electric Contacts
- * **TW4M, TW8M** Electric Through Wire + Monitoring
- SF** Security Fasteners

* Full Mortise Models Only



Pin and Barrel Continuous Hinges - Stainless Steel

Material – 14 Gauge Type 304 Stainless Steel

Finishes – US32D, Stainless (630)
Custom Paint Available, consult factory.

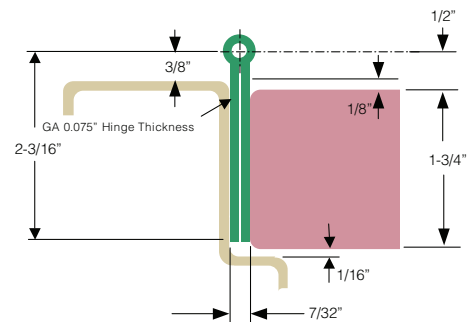
Ives 700

Full Mortise



Concealed Hinge
1/8" Inset
Non Handed

Standard Mounting Hardware
#10 X 1/2" Self Drilling Tek Screws,
#10 X 1" Wood Screws
Optional Security Fasteners Available



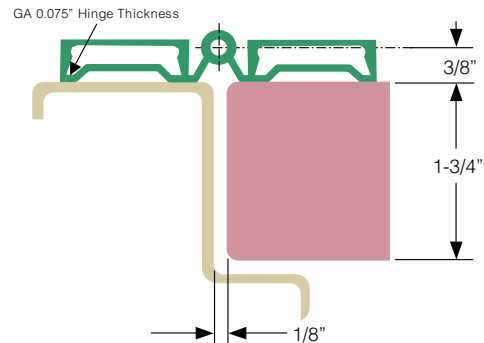
Ives 702

Full Surface



Surface Hinge
Flush Mounted, No Inset
Non Handed

Standard Mounting Hardware
1/4"-20 x 3/4" Self Drilling Tek Screws,
Cover Clips
Optional Security Fasteners Available



C O N T I N U O U S H I N G E S

Ives 705

Full Mortise, Full Wrap

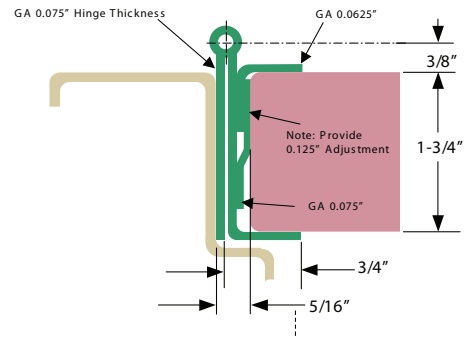


Concealed Hinge
 Flush Mounted, No Inset
 Full Wrap Edge Guard
 Non Handed

Standard Mounting Hardware

#10 X 1/2" Self Drilling Tek Screws,
 #10 X 1" Wood Screws

* **Adjusta-stud** 1-3/8" with 10-32
 internal thread
 Optional Security Fasteners Available.



* **Adjusta-Stud** allows up to 3/8" width adjustment which ensures proper alignment and easy installation. Adjusta-Stud also makes it possible for future adjustments of the door on the frame through repositioning.

Ives 711

Swing Clear

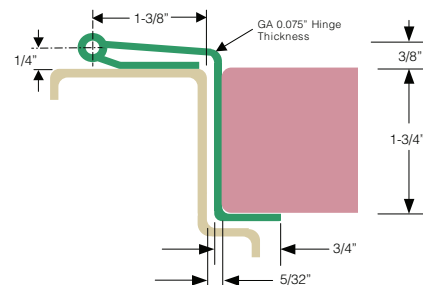


Surface Hinge
 No Inset
 Edge Guard
 Non Handed

Standard Mounting Hardware

#10 X 1/2" Self Drilling Tek Screws,
 #10 X 1" Wood Screws

Optional Security Fasteners Available



Pin and Barrel Continuous Hinges - Stainless Steel

Material - 14 Gauge Type 304 Stainless Steel

Finishes - US32D, Stainless (630)

Custom Paint Available, consult factory.

Ives 715

Full Mortise, Full Wrap



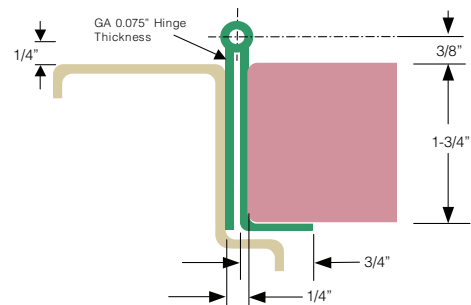
Concealed Hinge
Flush Mounted, No Inset
Half Wrap Edge Guard
Non Handed

Standard Mounting Hardware

#10 X 1/2" Self Drilling Tek Screws,

#10 X 1" Wood Screws

Optional Security Fasteners Available



Robert
Brooke &
Associates
1-800-642-2403

Pin and Barrel Continuous Hinges - Steel

Material – 1012 Cold- Rolled Steel

Finishes – 600 (USP)

Custom Paint Available, consult factory

Ives 600

Full Mortise



Concealed Hinge

1/8" Inset

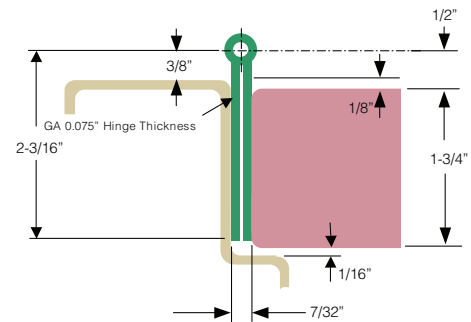
Non Handed

Standard Mounting Hardware

#10 x 1/2" Self Drilling Tek Screws,

#10 x 1" Wood Screws

Optional Security Fasteners Available



Ives 602

Full Surface



Surface Hinge

Flush Mounted, No Inset

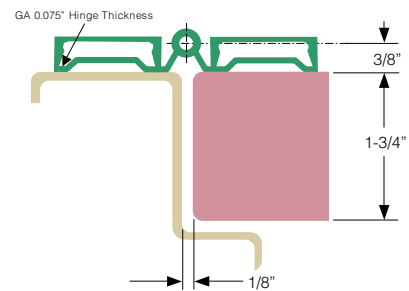
Non Handed

Standard Mounting Hardware

1/4"-20 x 3/4" Self Drilling Tek Screws,

Cover Clips

Optional Security Fasteners Available



Pin and Barrel Continuous Hinges - Steel

Material – 1012 Cold- Rolled Steel

Finishes – 600 (USP)

Custom Paint Available, consult factory

Ives 611

Swing Clear



Surface Hinge, Swing Clear

No Inset

Edge Guard

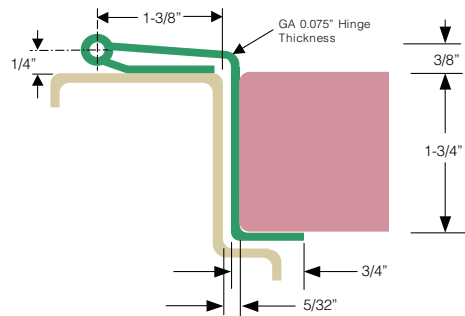
Non Handed

Standard Mounting Hardware

#10 x 1/2" Self Drilling Tek Screws,

#10 x 1" Wood Screws

Optional Security Fasteners Available



C O N T I N U O U S H I N G E S



Robert
Brooke &
Associates
1-800-642-2403