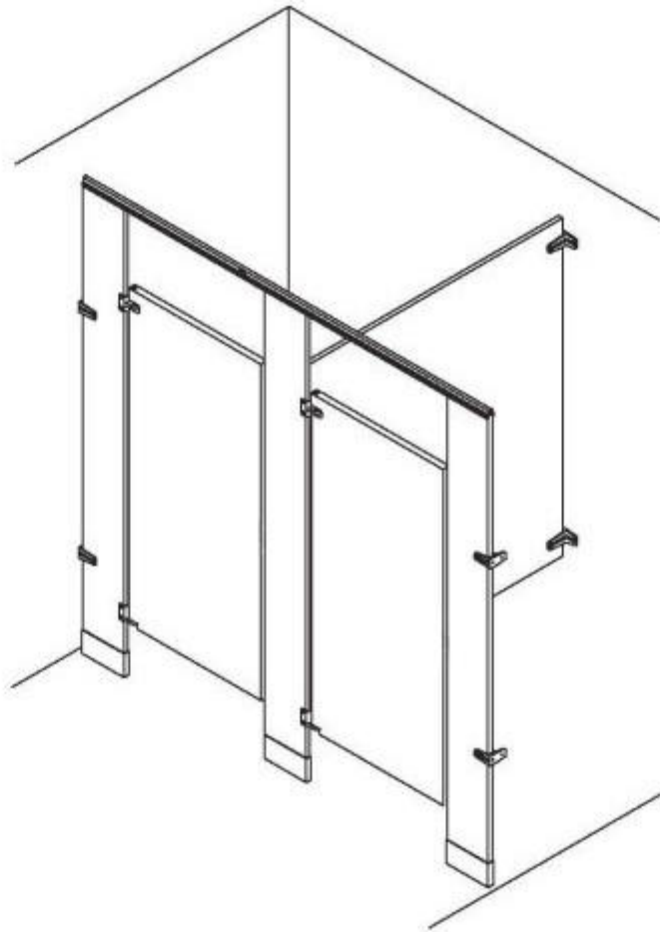


**INTEGRATED PRIVACY™ SYSTEM
POWDER COATED AND
STAINLESS STEEL PARTITIONS**



Thank you for choosing ASI Accurate Partitions

This installation guide was designed to cover as many variations of hardware and mounting styles as possible, while also trying to keep it light and focused.

While all materials and standard mounting selections are present, in order to cover the numerous choices of hardware, we have presented each material with its default hardware. Therefore, while each type is covered, it will be with its most common mounting style (i.e. continuous brackets on ceiling-hung, piano hinges on Solid Plastic (HDPE), etc).

Please read all steps in their entirety before beginning actual install, as some field conditions and hardware combinations may require alternate installation.

Table of Contents

<u>Floor Anchored/Overhead Braced</u>	<u>Page</u>
Step 1,2,3.....	1
Step 3,4,5.....	2
Panel to Pilaster/Wall Two Ear Assembly.....	3
Panel to Pilaster/Wall One Ear Assembly.....	4
Pilaster/Wall One Ear Assembly.....	5
Pilaster/Panel Alcove Assembly.....	6
Pilaster/Panel Inline Assembly.....	7
Door Hardware Assembly (Typical All Styles).....	8A-8B
Headrail Assembly.....	9
Urinal Screen Assembly.....	10
 <u>Floor Anchored</u>	
Step 1,2,3.....	11
Step 3,4,5.....	12
Panel to Pilaster/Wall Two Ear Assembly.....	13
Panel to Pilaster/Wall One Ear Assembly.....	14
Pilaster/Wall One Ear Assembly.....	15
Pilaster/Panel Alcove Assembly.....	16
 <u>Ceiling Anchored</u>	
Step 1,2,3.....	17
Step 3,4,5.....	18
Panel to Pilaster/Wall Two Ear Assembly.....	19
Panel to Pilaster/Wall One Ear Assembly.....	20
Pilaster/Wall One Ear Assembly.....	21
Pilaster/Panel Alcove Assembly.....	22

Table of Contents

<u>Floor Anchored and Ceiling Anchored</u>	<u>Page</u>
Step 1,2,3.....	23
Step 3,4,5.....	24
Panel to Pilaster/Wall Two Ear Assembly.....	25
Panel to Pilaster/Wall One Ear Assembly.....	26
Pilaster/Wall One Ear Assembly.....	27
Pilaster/Panel Alcove Assembly.....	28
Pilaster/Panel Inline Assembly.....	29
 <u>Full Height Bracket Kits</u>	
Panel to Pilaster/Wall Two Ear Assembly.....	30
Panel to Pilaster/Wall One Ear Assembly.....	31
Pilaster/Wall One Ear Assembly.....	32
Urinal Screen Assembly	33
 <u>Product Information</u>	
Care and Maintenance of Toilet Partitions.....	34

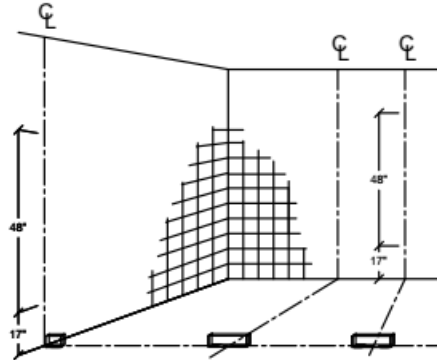
The Components for this project have been custom fabricated. They are guranteed with respect to manufacture and workmanship and were inspected at the factory.

Before beginning work, the units should be inspected. If damage occurred in transit, report immediatly to the freight company or other agencies that may have caused the damage.

STEP 1
FLOOR ANCHORED/OVERHEAD BRACED

- A. Review the layout drawings and package lists that have accompanied this job.
- B. Before proceeding, confirm that backing of walls and floor is adequate to support secure mounting of the toilet compartment units.
- C. Establish and mark pilaster center line from back wall.
- D. Establish and mark panel center lines for wall brackets.
- E. Establish pilaster floor fastener locations from side wall according to shop drawings. (Note floor fasteners are located 1" from lockstrip edge of pilaster.)
- F. Mark wall bracket holes using the brackets as templates.

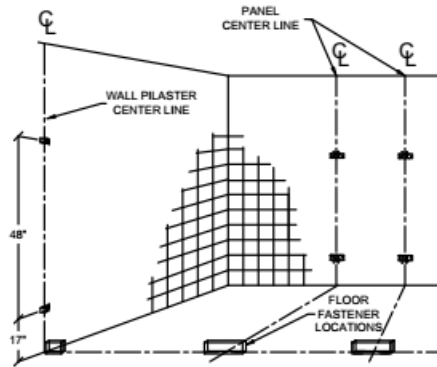
FIGURE 1



STEP 2
WALL BRACKETS AND FLOOR BRACKETS

- A. Drill holes for wall brackets and floor fastenings of appropriate size for particular fastening devices supplied.
- B. Insert anchoring devices in walls and secure wall brackets.
- C. Insert expansion shields or other floor fastening devices, position shoe clips and "L" brackets over expansion shields and secure loosely with screws.

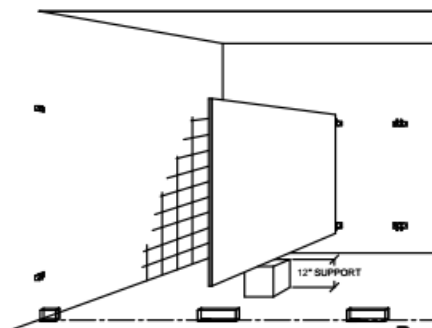
FIGURE 2



STEP 3
POSITION PANEL

- A. Place panel on a support, 12" above the floor.
- B. Set it into wall brackets, but do not fasten panel at this time.

FIGURE 3



STEP 4 **PILASTER PREPARATION**

- A. Align U-brackets in position on rear of pilasters. Refer to layout drawings and make sure brackets are in alignment with wall brackets.
- B. Fasten U-brackets to pilaster with sheet metal screws.

NOTE: Pilasters at wall do not require U-brackets, but should be prepared for wall (and floor fastening) as required by compartment layout. If floor fastening is omitted, three wall brackets should be used.

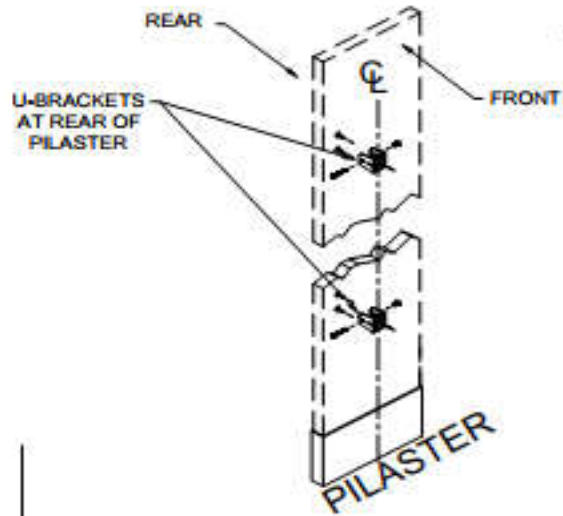


FIGURE 4

STEP 5 **INSTALL PILASTERS**

- A. Insert the leveling bolt into the threaded mounting foot at the bottom of the pilaster.
- B. Insert the pilaster into the shoe.
- C. Level the top of all pilasters by adjusting the leveling bolt to desired position.

Note: To determine how far to insert the leveling bolt, find the highest point on the floor, and fully insert the bolt on the pilaster that will be mounted in that location. Adjust all other leveling bolts accordingly.

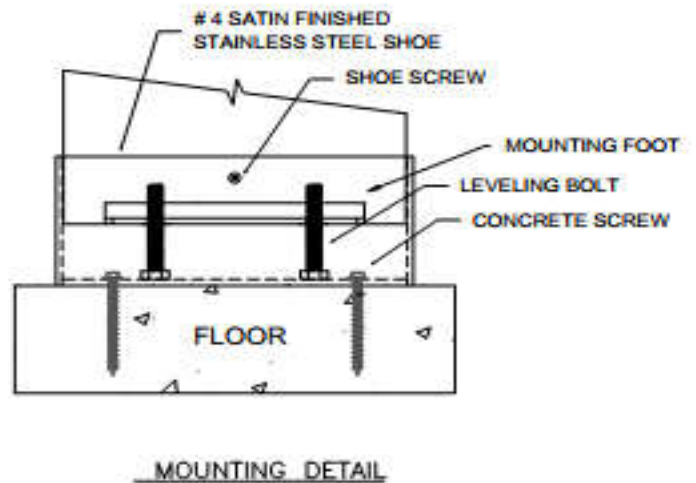


FIGURE 5

STEP 6 **SECURING PILASTERS/PANELS**

- A. Plumb each pilaster and fasten the pilaster to panel using through bolts with barrel nuts or sheet metal screws.
- B. Establish door openings by setting pilaster mounting.
- C. Tighten self tapping screw to "L" brackets.
- D. Slide stainless steel shoe down to floor level, firmly engaging shoe clips.
- F. Remove panel support device.

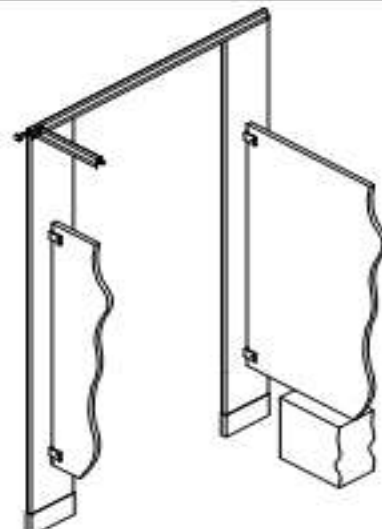


FIGURE 6


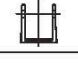

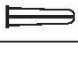

FLOOR ANCHORED/OVERHEAD BRACED PANEL TO PILASTER/WALL TWO EAR ASSEMBLY

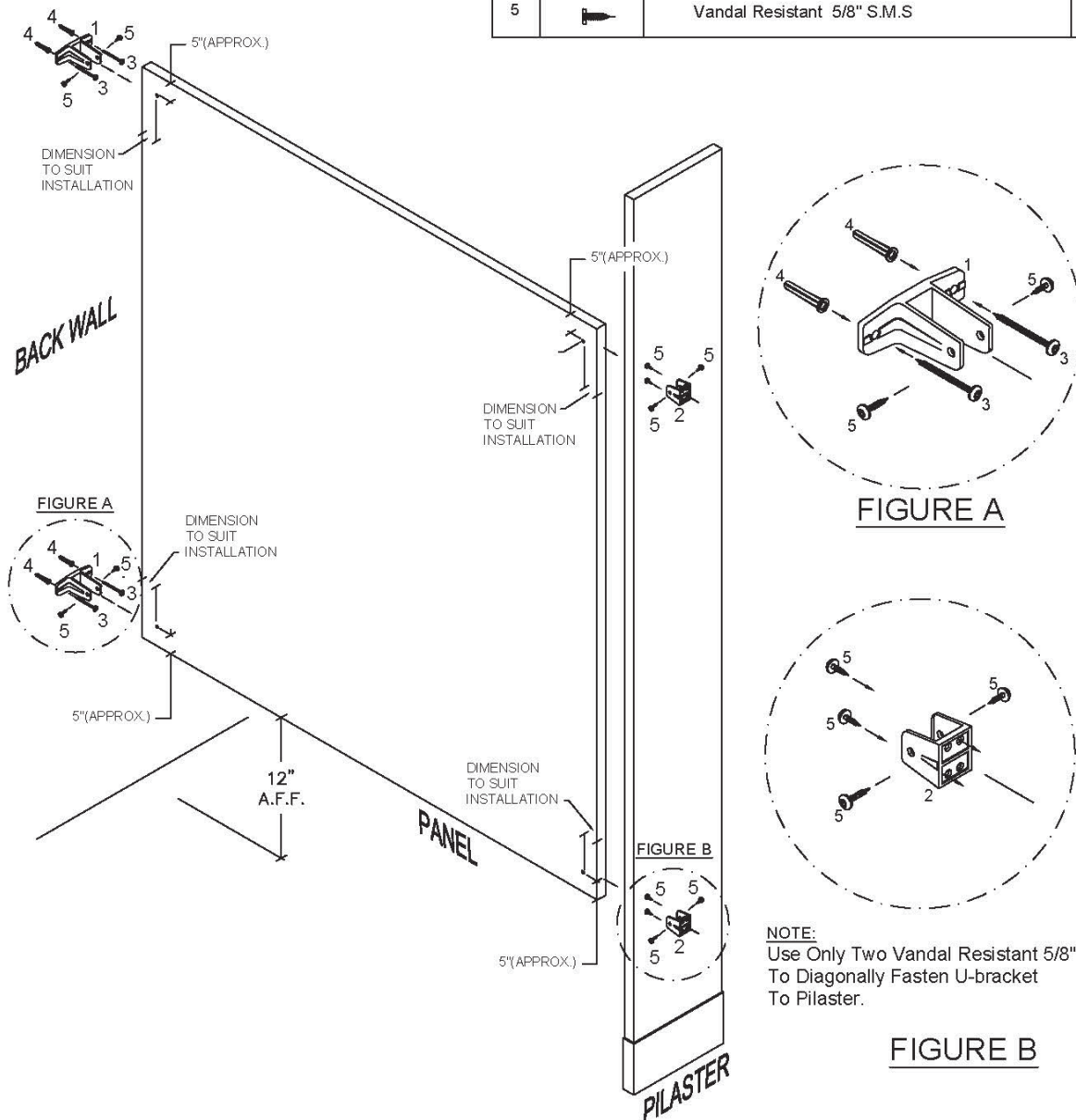
Fasten pilaster to panel using sheet metal screws (Refer to steps 4 & 6)

Pre-drill for screws with 1/8" bit.

Pilasters must be both plumb and level. To assist in leveling, headrail may be lightly positioned across adjacent pilasters (do not fasten at this time)

Remove support device.

Panel Hardware Kit (P/N 40-8515020G) Includes: CHROME PLATED ZAMAC		
Panel Hardware Kit (P/N 40-8265021G) Includes: STAINLESS STEEL		
PART ID.	DESCRIPTION	QTY
1	 Two Ear Bracket	(2)
2	 "U" Bracket	(2)
3	 Vandal Resistant 2 1/2" S.M.S	(4)
4	 Plastic Shields	(4)
5	 Vandal Resistant 5/8" S.M.S	(12)



NOTE:
Use Only Two Vandal Resistant 5/8" SMS
To Diagonally Fasten U-bracket
To Pilaster.


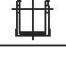


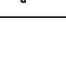
**FLOOR ANCHORED/
OVERHEAD BRACED
PANEL TO PILASTER/WALL
ONE EAR ASSEMBLY**

Fasten pilaster to panel using sheet metal screws(Refer to steps 4 & 6)

Pre-drill for screws with 1/8" bit.

Pilasters must be both plumb and level. To assist in leveling, headrail may be lightly positioned across adjacent pilasters(do not fasten at this time)

Remove support device.

Panel Hardware Kit (P/N 40-8515010G) Includes: CHROME PLATED ZAMAC			
Panel Hardware Kit (P/N 40-8265011G) Includes: STAINLESS STEEL			
PART ID.		DESCRIPTION	QTY
1		One Ear Bracket	(2)
2		"U" Bracket	(2)
3		Vandal Resistant 2 1/2" S.M.S	(4)
4		Plastic Shields	(4)
5		Vandal Resistant 5/8" S.M.S	(12)

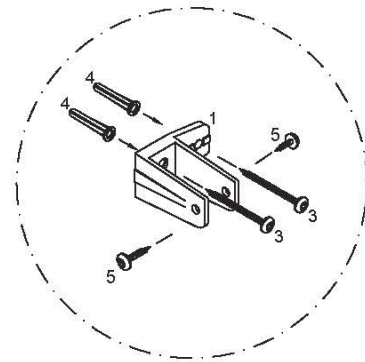
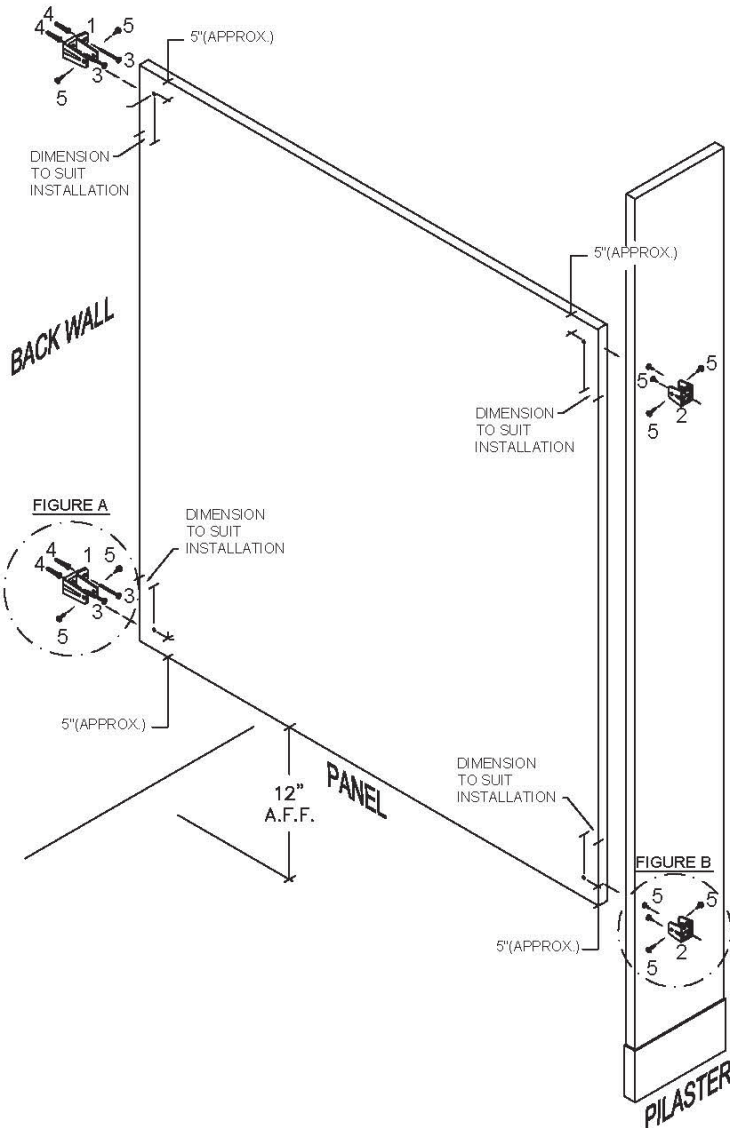
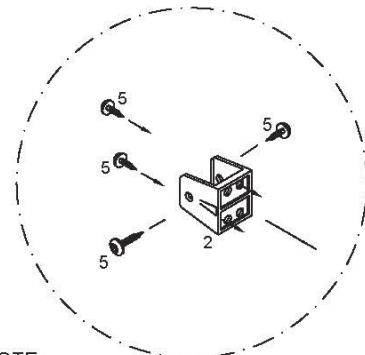


FIGURE A



NOTE:
Use Only Two Vandal Resistant 5/8" SMS
To Diagonally Fasten U-bracket To Pilaster.

FIGURE B

FLOOR ANCHORED/OVERHEAD BRACED PILASTER/WALL ASSEMBLY

Fasten using sheet metal screws.

Pilasters must be both plumb and level. To assist in leveling, headrail may be lightly positioned across adjacent pilasters(do not fasten at this time)

Establish bottom door openings by adjusting pilaster "L" brackets (anchoring) to desired position and tightening screws.(See step 6)

Pilaster/Wall Hardware Kit (P/N 40-8515210G) Includes: CHROME PLATED ZAMAC		
Pilaster/Wall Hardware Kit (P/N 40-8265211G) Includes: STAINLESS STEEL		
PART ID.	DESCRIPTION	QTY
1	 One Ear Wall Bracket	(2)
2	 Vandal Resistant 2 1/2" S.M.S	(4)
3	 Plastic Shields	(4)
4	 Vandal Resistant 5/8" S.M.S	(8)

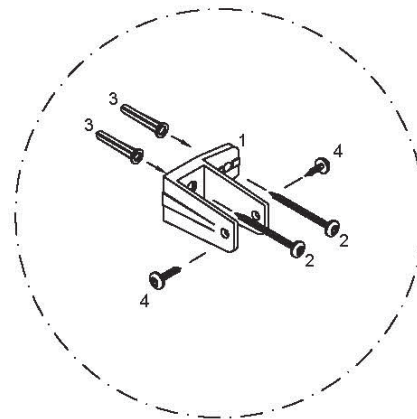
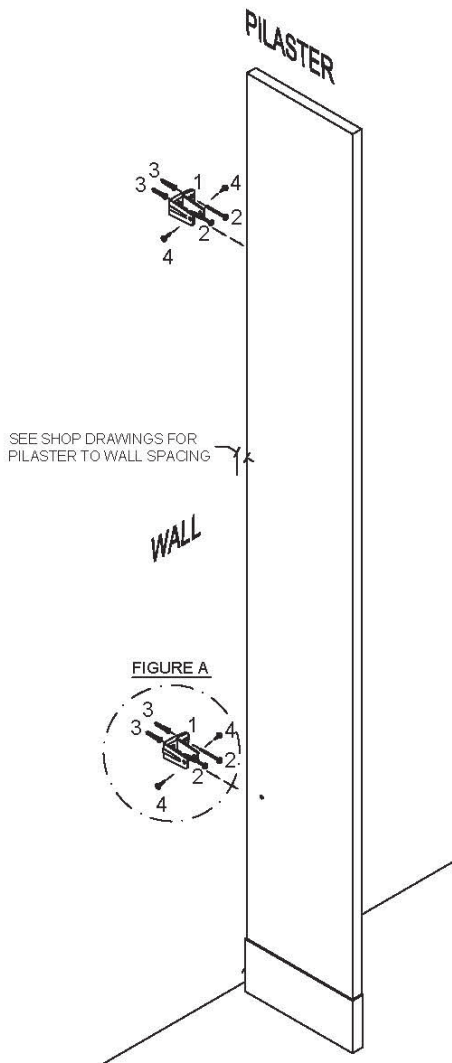
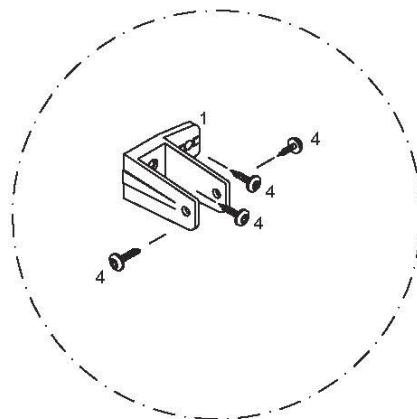


FIGURE A




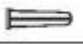
ALTERNATE

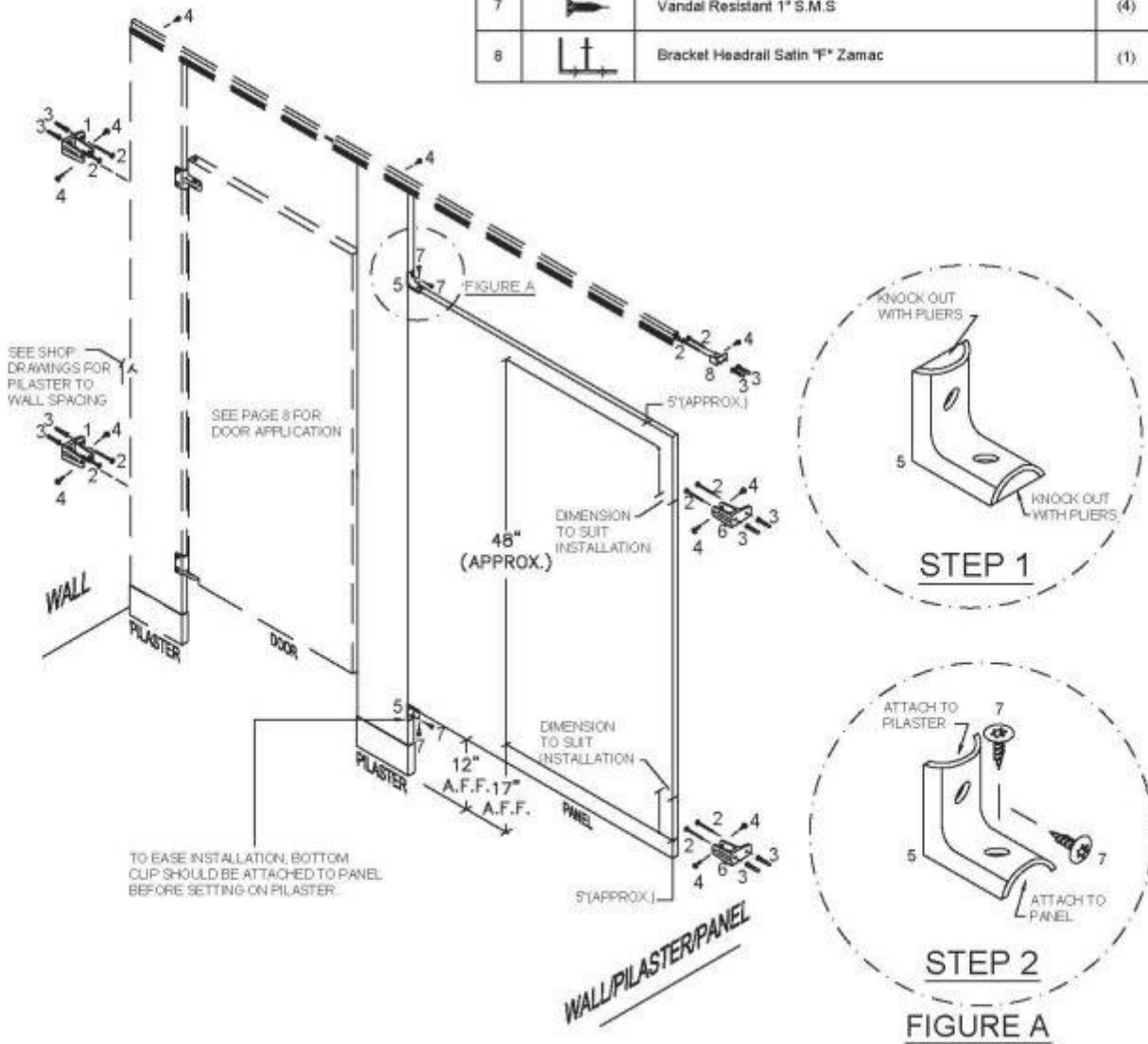
NOTE:
Replace Vandal Resistant 2 1/2" SMS
With Vandal resistant 5/8"SMS
To Fasten Pilaster To Panel.

**FLOOR ANCHORED/
OVERHEAD BRACED
PILASTER/PANEL ALCOVE
ONE EAR ASSEMBLY**

Note: CHROME PLATED
Replace Kit#8517310 with Kit#8517320
for two ear panel locations.

Note: STAINLESS STEEL
Replace Kit#8267311 with Kit#8267321
for two ear panel locations.

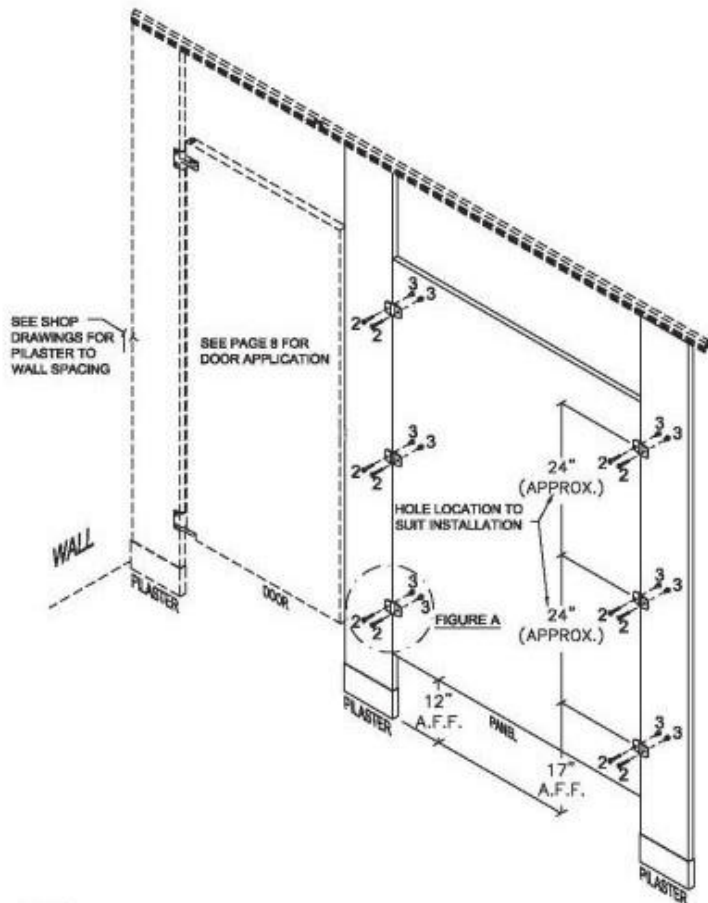
Alcove Hardware Kit (P/N 40-8517310G) Includes: CHROME PLATED ZAMAC			
Alcove Hardware Kit (P/N 40-8267311G) Includes: STAINLESS STEEL			
PART ID.		DESCRIPTION	QTY
1		1 1/4" One Ear Wall Bracket	(2)
2		Vandal Resistant 2 1/2" S.M.S	(10)
3		Plastic Shields	(10)
4		Vandal Resistant 5/8" S.M.S	(14)
5		Alcove Clip	(2)
6		1" One Ear Wall Bracket	(2)
7		Vandal Resistant 1" S.M.S	(4)
8		Bracket Headrail Satin "F" Zamac	(1)



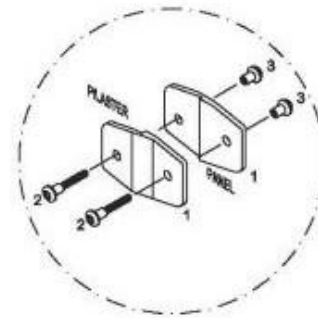
**FLOOR ANCHORED/
OVERHEAD BRACED
PILASTER/PANEL/PILASTER INLINE
ASSEMBLY**

Alternate Alcove Hardware Kit (P/N 40-8517030G) Includes:
CHROME PLATED ZAMAC

PART ID.	DESCRIPTION	QTY
1	 Alcove Clips	(12)
2	 Vandal Resistant Step Bolts 1" Long	(12)
3	 Vandal Resistant Barrel Nut	(12)
4	 Vandal Resistant 5/8" S.M.S	(24)

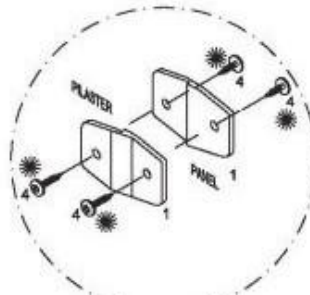


NOTE:
Replace Theft Resistant C/P 2 1/2"
With Theft resistant C/P 5/8"
To Fasten Pilaster To Panel Instead Of A Wall
Should Your Layout Call For Such.



**FIGURE A
RECOMMENDED**

NOTE:
Offset brackets for screw clearance.



OPTIONAL

OPTIONAL
Two Vandal Resistant 5/8" SMS
May be Used (But Not Recommended)
To Fasten brackets To Panel.

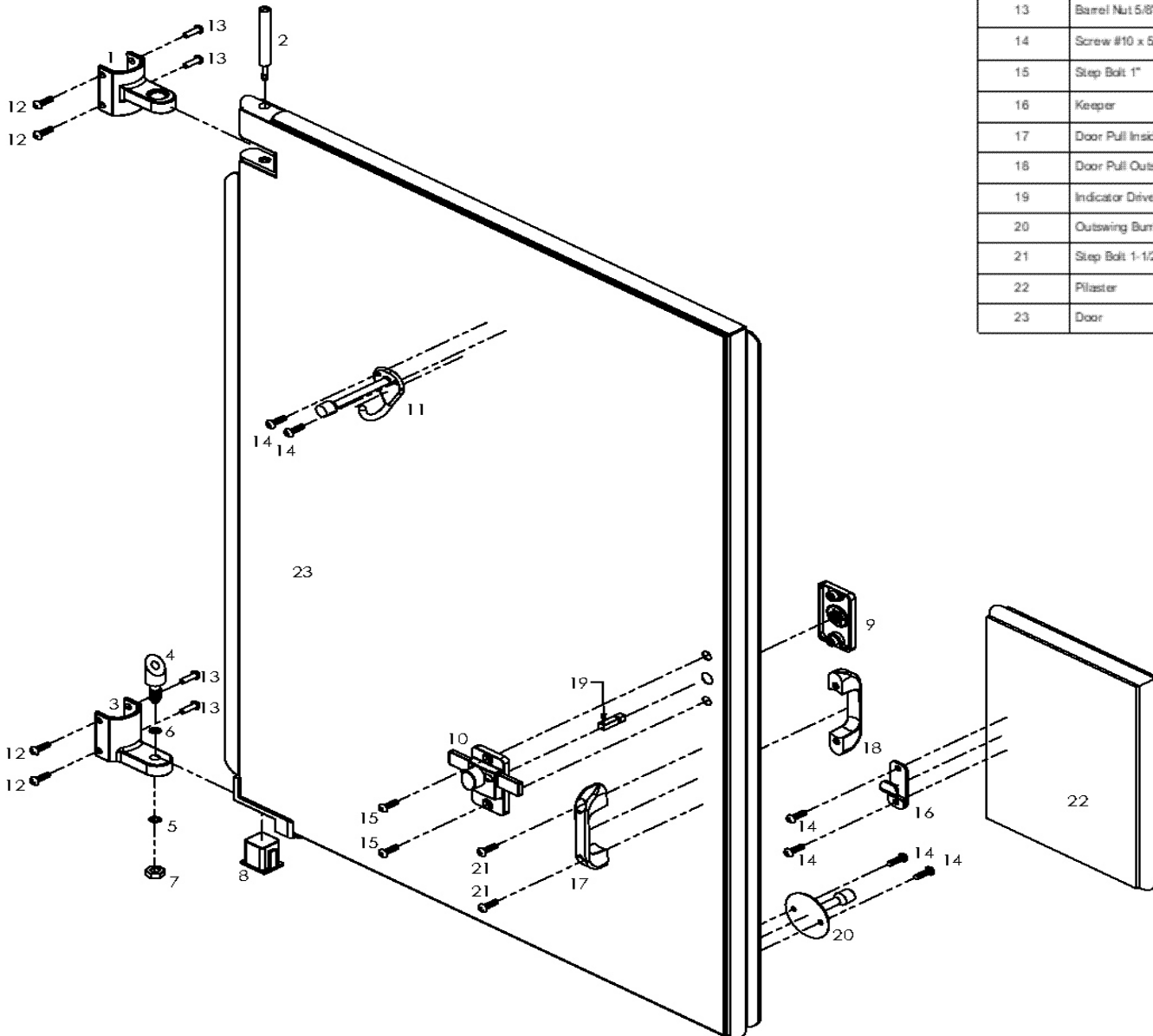
ASI[®] Accurate Partitions

DOOR HARDWARE ASSEMBLY

- A. Secure lower hinge to the pilaster with two through bolts & two barrel nuts.
- B. Secure upper hinge to pilaster with two through bolts and two barrel nuts.
- C. Insert box cam into lower door hinge portion. The short key toward the edge of the door.
- D. Lowest point of cam pintle sets door "rest" position. Rotate pintle to desired position, then tighten locking nut.
- E. Install door by placing the box cam over the hinge pintle. Position top of door over upper pilaster hinge and insert hinge pin until flush with top of door.

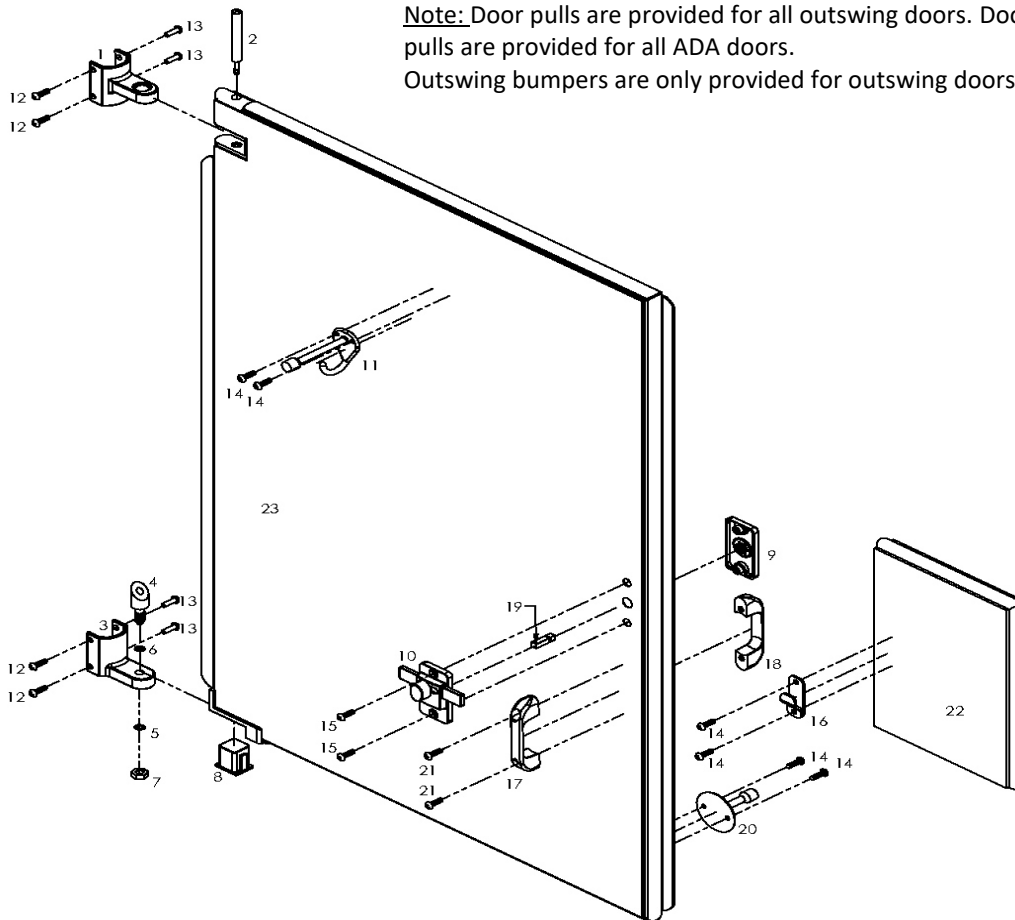
Continued on Page 8B

PART ID.	DESCRIPTION	QTY
1	Top Hinge	(1)
2	Hinge Pin	(1)
3	Bottom Hinge	(1)
4	Hinge Pintle Nylon	(1)
5	Hinge Washer External	(1)
6	Hinge Washer Internal	(1)
7	Hinge Nut 5/16"	(1)
8	Box cam Nylon	(1)
9	Indicator Slide Latch Outside	(1)
10	Indicator Slide Latch Inside	(1)
11	Coat Hook & Bumper	(1)
12	Step Bolt 1-1/4"	(4)
13	Barrel Nut 5/8"	(4)
14	Screw #10 x 5/8"	(6)
15	Step Bolt 1"	(2)
16	Keeper	(1)
17	Door Pull Inside	(1)
18	Door Pull Outside	(1)
19	Indicator Drive Pin	(1)
20	Outswing Bumper	(1)
21	Step Bolt 1-1/2"	(2)
22	Pilaster	(1)
23	Door	(1)

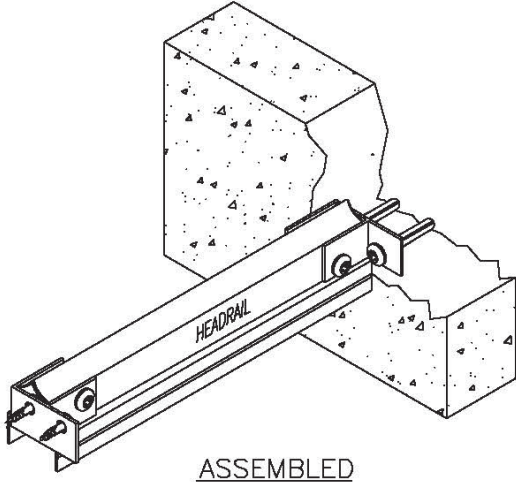


- F. Insert the indicator drive pin (#19) into the back of the indicator slide latch (#9).
 - G. Turn the indicator dial until the indicator window shows red.
 - H. Slide the handle of the indicator slide latch (#10) so that the latch will be in the locked position.
 - I. Align both halves of the indicator slide latch with the 3 predrilled holes in the door.
 - J. Secure the latch with two 1" step bolts (#15).
 - K. With the door closed and the latch engaged, align the keeper (#16) with the latch bar.
 - L. Drill two 9/64" holes in the pilaster using the keeper as a guide.
 - M. Attach the keeper to the pilaster using two 5/8" screws (#14).
 - N. Place the coat hook (#11) 10" from the top of the door and centered from side to side.
- Note:** Federal ADA guidelines recommend that the coat hook be no more than 48" above the floor. If the door swings in, place the bumper so that it strikes the wall before any other part of the door.
- O. Using the coat hook (#11) as a guide, drill two 9/64" holes, and secure the coat hook with two 5/8" screws (#14).
 - P. Place the inside door pull (#17) between 34" & 48" above the floor. Using the pull as a template, drill two 1/4" holes through the door.
 - F. Align both halves of the door pull (#17 & #18) with the 1/4" holes and secure them with two 1-1/2" step bolts (#21).
 - G. Place the outswing bumper (#20) near the bottom corner of the door on the strike side.
 - O. Using the bumper as a guide, drill two 9/64" holes, and secure the bumper to the door with two 5/8" screws (#14).

PART ID.	DESCRIPTION	QTY
1	Top Hinge	(1)
2	Hinge Pin	(1)
3	Bottom Hinge	(1)
4	Hinge Pin/ie Nylon	(1)
5	Hinge Washer External	(1)
6	Hinge Washer Internal	(1)
7	Hinge Nut 5/16"	(1)
8	Box cam Nylon	(1)
9	Indicator Slide Latch Outside	(1)
10	Indicator Slide Latch Inside	(1)
11	Coat Hook & Bumper	(1)
12	Step Bolt 1-1/4"	(4)
13	Barrel Nut 5/8"	(4)
14	Screw #10 x 5/8"	(6)
15	Step Bolt 1"	(2)
16	Keeper	(1)
17	Door Pull Inside	(1)
18	Door Pull Outside	(1)
19	Indicator Drive Pin	(1)
20	Outswing Bumper	(1)
21	Step Bolt 1-1/2"	(2)
22	Pilaster	(1)
23	Door	(1)

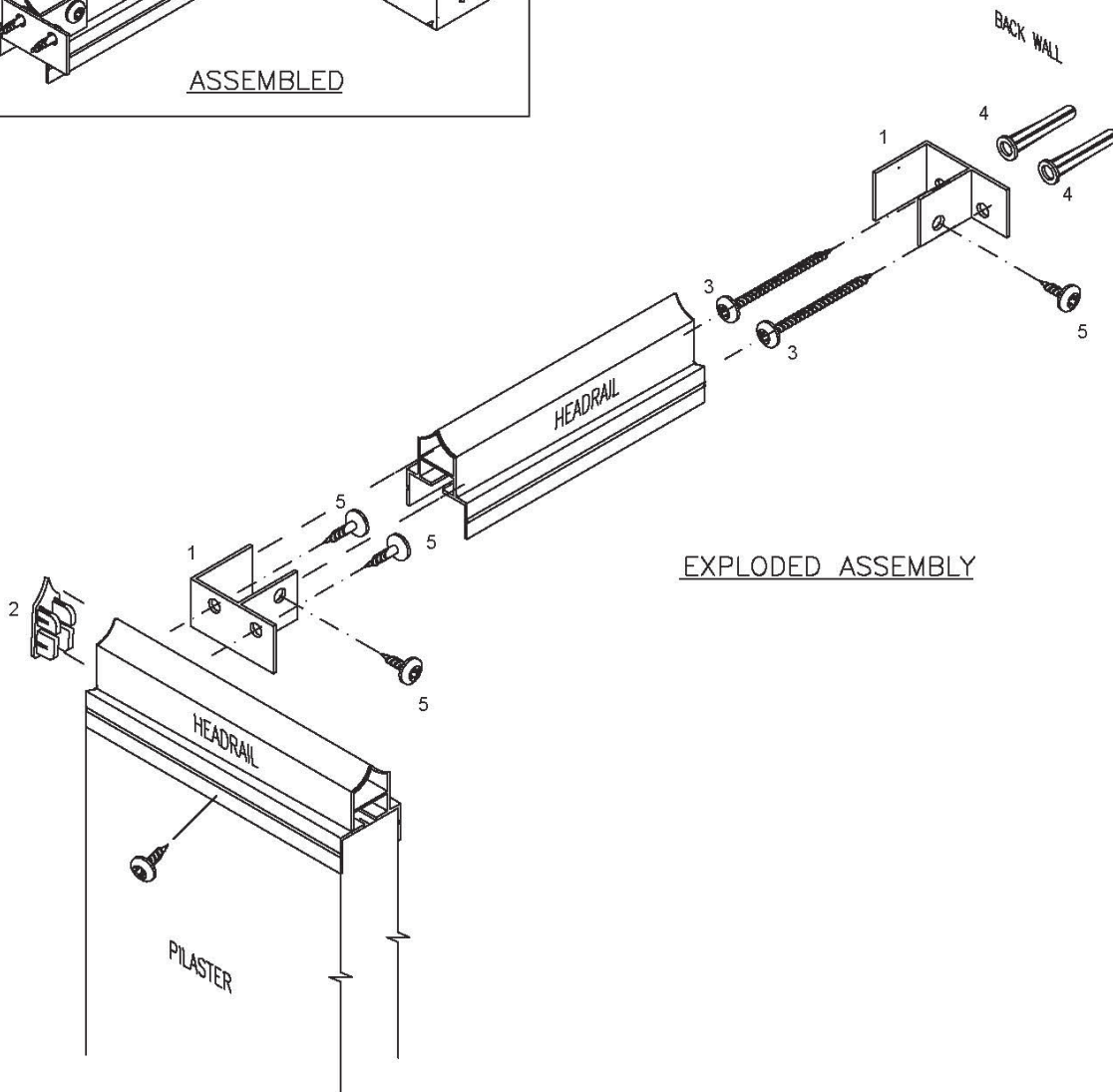


**HEADRAIL
ASSEMBLY**



Headrail Hardware Kit (P/N 40-8448100G) Includes:

PART ID.	DESCRIPTION	QTY
1	 Headrail Satin "F" Zamac Bracket	(2)
2	 Headrail Cap Satin Zamac	(1)
3	 Vandal Resistant S/S 2 1/2" S.M.S	(2)
4	 Plastic Shield	(2)
5	 Vandal Resistant S/S 5/8" S.M.S	(4)



URINAL SCREEN ASSEMBLY

- A. Before proceeding, confirm that backing of wall is adequate to support and secure mounting of urinal screens. Check dwgs for layout.
- B. Insert anchoring devices in walls and secure wall brackets with 2 1/2" s.m.s.
- C. Place urinal screen on a support, 12" above the floor.
- D. Set U/S into wall brackets and fasten urinal screen at this time, using 5/8" fasteners.

Urinal Screen Hardware Kit (P/N 40-8511281G) Includes: CHROME PLATED ZAMAC		
Urinal Screen Hardware Kit (P/N 40-8261281G) Includes: STAINLESS STEEL		
PART ID.	DESCRIPTION	QTY
1	 Two Ear Wall U/S Bracket	(2)
2	 Vandal Resistant 2 1/2" S.M.S	(4)
3	 Plastic Shields	(4)
4	 Vandal Resistant 5/8" S.M.S	(8)

