



Your **ONE-STOP** Shop



70 Series Heavy-Duty 79 Series Extra Heavy-Duty

Glynn-Johnson offers a complete line of overhead holders and stops, providing solutions for the most complex door control problems. Glynn-Johnson 70 series and 79 series surface-mounted holders and stops are designed to meet the demands of high-traffic industrial applications. These units are simple to install.

Compatible with a variety of door closers, these models come with templates to allow for variable mounting positions, ranging from 85° to 110° Hold-Open/Stop angle. These templates are designed for installation in almost all types of doors, including doors with conventional butt-type hinges or specialty hinges.

Four Models:

- 70H Series Hold-Open Model – Heavy-Duty
- 70S Series Stop-Only Model – Heavy-Duty
- 79H Series Hold-Open Model – Extra Heavy-Duty
- 79S Series Stop-Only Model – Extra Heavy-Duty

Five Sizes:

- Simple
- Standardized
- Each model is available in five sizes

Three Options:

- J—Angle Jamb Bracket
- SB—Sex Bolt Mounting
- SOC—Pin-in-Socket Security Screws

Unmatched Convenience:

- Non-Handed
- Single-Acting Doors
- Interior/Exterior Applications
- Durable
- Easy to Install
- Improved Corrosion Resistance
- Function Conversion Kits Available

Materials and Finishes:

Glynn-Johnson 70 and 79 series models are constructed primarily of Brass and 300 series Stainless Steel substrates, with several components fabricated of Steel treated to resist corrosion. Models in the 70 series utilize a 1/2"-diameter stainless steel bar, while the 79 series uses a 3/4" stainless steel bar.

The bar is always provided in US32D. The spring, washer and nut are provided in a clear zinc finish. The door bracket, jamb bracket and hook (for Hold-Open units) are available in the following finishes: US3, US4, US10, US10B, US26, US26D, SP4, SP10, SP28, SP313 and SPBLK.

Models

Glynn-Johnson 70 and 79 series holders and stops offer rugged durability and ease of installation. The surface-applied door and jamb brackets provide reliable door control, yet require minimal door and frame preparation.

Glynn-Johnson 70 series Hold-Open and Stop-Only models provide heavy-duty door protection. The 79 series models incorporate the basic characteristics of the 70 series, but can protect extremely heavy or large doors subject to violent use or abusive conditions (i.e., vault doors, cell doors, oversized plant entry doors).

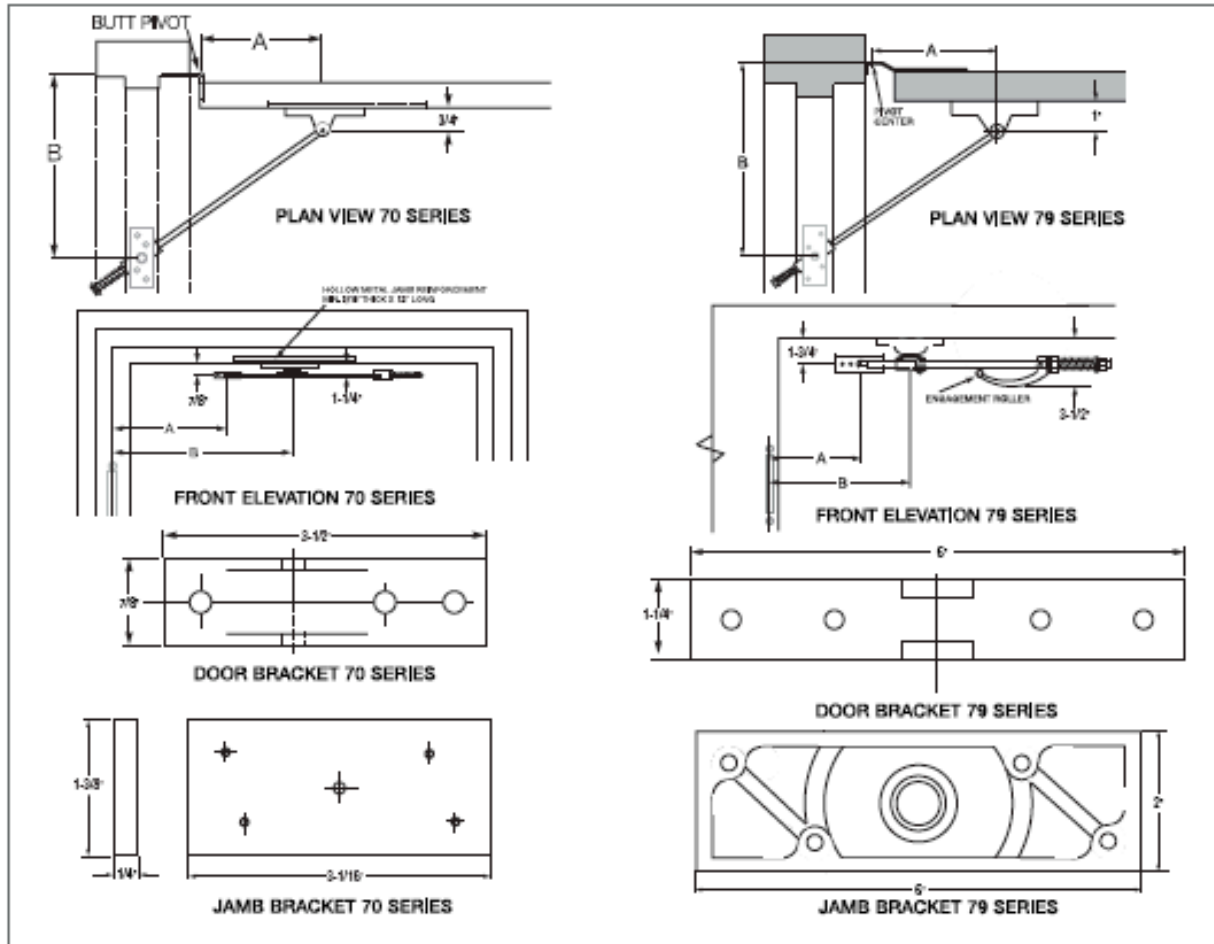
70H and 79H Series Hold-Open Models

(Suffix H) Hold-Open models in both series provide a selective Hold-Open function with easy-to-adjust tension. A simple 90° rotation of the roller mechanism disables the Hold-Open function, allowing the unit to serve as a shock-absorbing stop. The Hold-Open function provides a convenient method of holding the door open at a predetermined position for short or long periods of time, permitting an unobstructed traffic flow through the opening.

Both series provide a durable Hold-Open mechanism that can be turned off, allowing the unit to function as a shock-absorbing stop. The Hold-Open tension is simply adjusted incrementally for increased or decreased holding power by turning the nut at the end of the bar. While both series are designed for demanding applications, the 79 Series is recommended for extremely heavy or wide doors subject to violent or abusive conditions.

70S and 79S Series Stop-Only Models

(Suffix S) When the Hold-Open function is not a requirement, Stop-Only models provide a reliable method of door control. Stop-Only models provide the same shock-absorbing capability as Hold-Open models. The Stop-Only model may be used on fire doors.



70 and 79 Series Sizing Chart

SIZE	BUTTS/OFFSET PIVOTS			CENTER HUNG		
	DOOR OPENING	STOP ONLY	HOLD OPEN	DOOR OPENING	STOP ONLY	HOLD OPEN
1	---	---	---	---	---	---
2	23-1/16"-27"	702S/792S	702H/792H	27-1/16"-33"	702S/792S	702H/792H
3	27-1/16"-33"	703S/793S	703H/793H	33-1/16"-39"	703S/793S	703H/793H
4	33-1/16"-39"	704S/794S	704H/794H	39-1/16"-45"	704S/794S	704H/794H
5	39-1/16"-45"	705S/795S	705H/795H	45-1/16"-51"	705S/795S	705H/795H
6	45-1/16"-51"	706S/796S	706H/796H	51-1/16"-59"	706S/796S	706H/796H

Note: This chart illustrates the most common types of hinging and door opening sizes. For unusual door details, contact Glynn-Johnson for availability.

BHMA/ANSI, A156.8 & FED. Spec. Cross Reference

G-J Model	BHMA	FED. Spec.
702H - 706H	C08511	G-J 70
702S - 706S	C08541	G-J 70
792H - 796H	C08511	G-J 70
792S - 796H	C08541	G-J 70